

# Slip Rings

V Series, R Series & Custom Engineered



# Slip Rings

Conductix-Wampfler has been manufacturing high-quality industrial slip rings for over 75 years. Our decades of experience allow us to cover a broad range of standard and custom designs to match our customers' application needs.

100%  
Duty  
Cycle

75  
YEARS

NEC  
Guidelines

A slip ring is an electromechanical device that allows transmitting power and control signals and data from a stationary point to a piece of rotating equipment. Slip rings consist of brushes which slide over the outside diameter of a rotating metal ring. As equipment turns or indexes power and control, data is conducted between the brush and metal ring, completing the connection.

Conductix-Wampfler manufactures all slip rings to National Electric Code (N.E.C.) guidelines, complies with UL 508, and is rated at 100% duty cycle. Listed units are available upon request.

Our slip rings serve applications across many markets, including but not limited to:

- Mining
- Agriculture
- Special Machines
- Energy & Offshore
- Construction
- Entertainment & Amusement
- Environment & Recycling
- Factory Automation
- Ports
- Bulk Material Handling

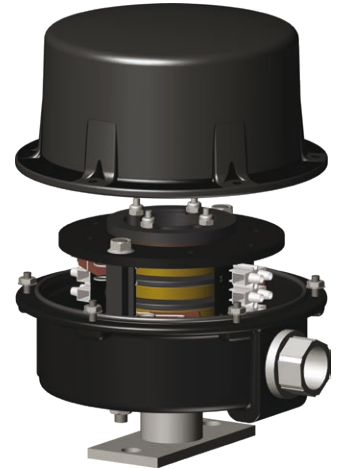
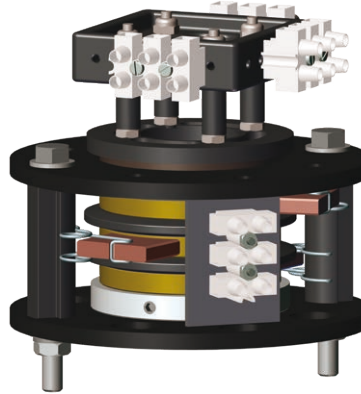


# V Series Slip Rings

V Series slip rings are a compact and economical option. These slip rings are offered in 1.5-inch bore size, up to 75 amps and 600V. Oil-lite bushings eliminate plastic on plastic rubbing while the unit is in motion, and long-life brushes ensure many years of use.

Additional features include:

- Double brushed with individual brush springs
- Optional terminal strips for easy connections
- Compact size
- Designed for minimal downtime during maintenance
- Self-contained
- Multiple enclosure options are available

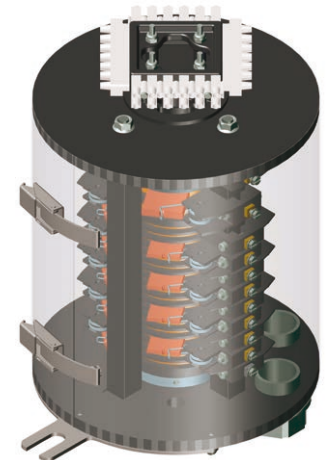
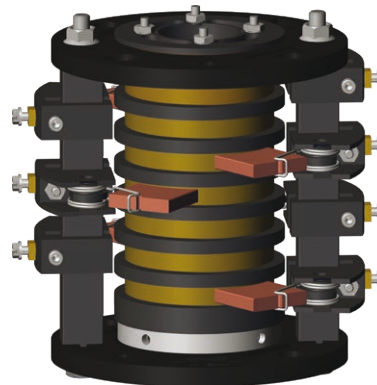


# R Series Slip Rings

R Series slip rings offer a robust design, available in a full range of bore sizes, amperages, and voltages. Long-life brush wear and concentric brush carriage alignment mean years of trouble-free operation. This series of slip rings has many customizable additions to fit any application.

Additional features include:

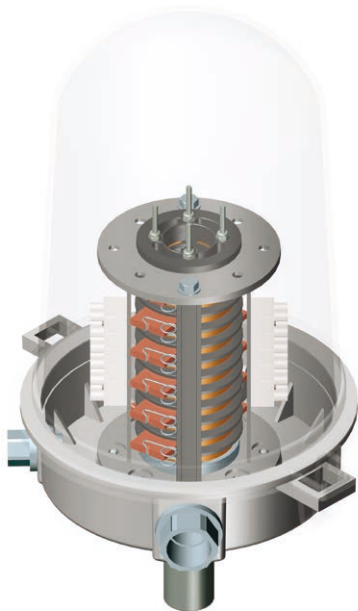
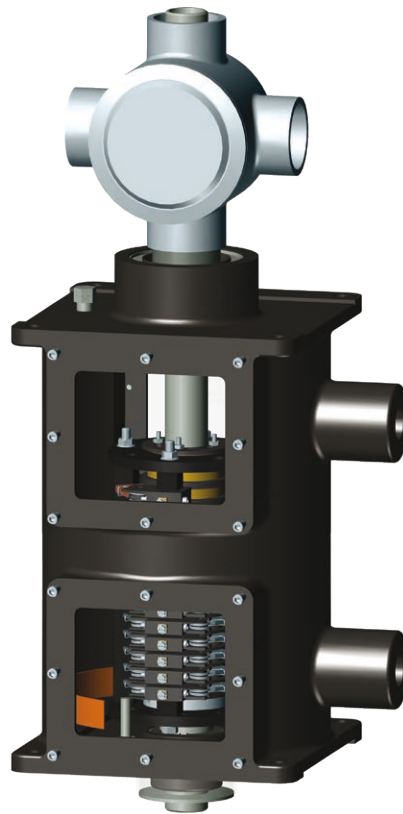
- Double brushed with individual brush springs
- Optional terminal strips for easy connections
- Sealed ball bearings for high-speed applications
- Designed for minimal downtime during maintenance
- Self-contained
- Multiple enclosure options are available



# Custom Applications

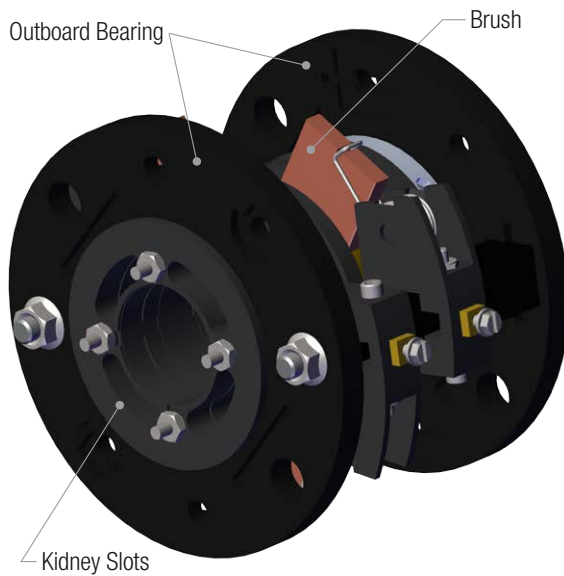
Conductix-Wampfler excels in providing engineered solutions for our customers' most complex and demanding applications. Our portfolio of custom slip rings is broad and diverse, and we welcome the challenge of providing your company with the perfect solution for any application. In addition to the features and benefits of our V and R Series slip rings, Conductix-Wampfler can leverage competencies in the following areas to provide the most complete slip ring portfolio in the industry.

- Hazardous Location and ATEX compliance
- High Voltage and High Amperage solutions
- Irrigation Units
- Heaters and Breather drains
- Epoxy filled cores
- Heat shrink core bolts
- Stainless steel
- Fiber Optics

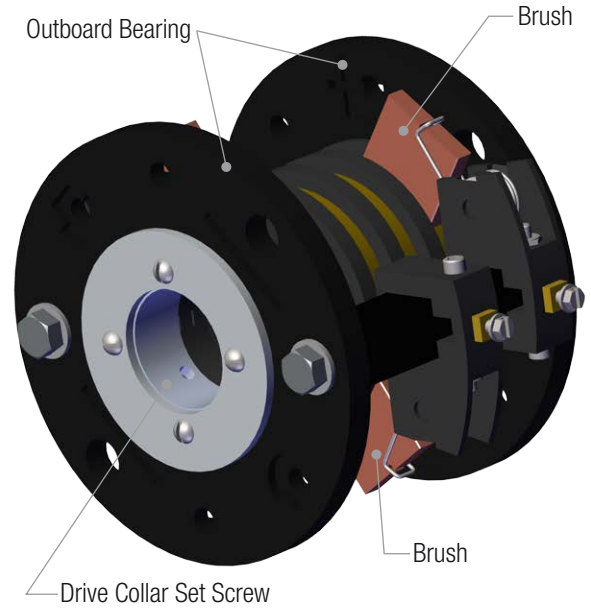


# Slip Ring Components

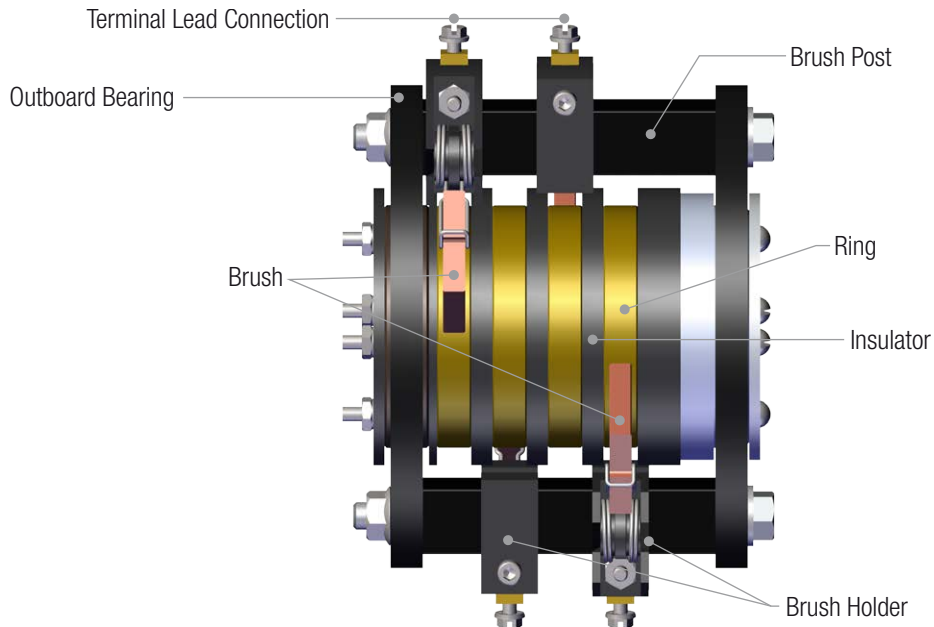
Core Lead View



Drive Collar View



Side View



# www.conductix.us

## Conductix-Wampfler

has just one critical mission:

To provide you with energy and data transmission systems that will keep your operations up and running 24/7/365.

To contact your nearest sales office, please refer to:

**[www.conductix.us](http://www.conductix.us)**

